



# NV-320SE/NV-320SE-T

VDSL2 LAN Extender with PoE

NV-320SE is a low cost LAN extender with PoE, compliant with G.993.2 VDSL2 standard and providing up to 160Mbps symmetric using only a single copper wire pair. specially designed for a LAN to LAN extension with PoE and supporting both symmetrical and asymmetrical transmission at up to 100/100Mbps up to 300 meters and 5 / 1Mbps up to 3000 meters, this is a perfect solution to extend LAN with PoE for IP Surveillance or PoE powered devices at any location outside of the 100 meters reach.

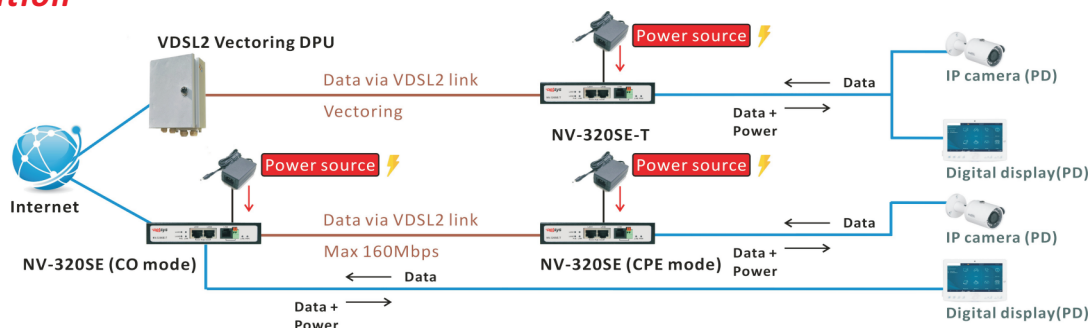
## Features

- Cost effective bridge function to connect two 10/100/1000 Base-T LANs with PoE
- Auto-detect IEEE 802.3af/at equipment
- Supports Mid-span PoE mode
- Compact size and DIN rail support
- Selectable CO and CPE mode via DIP switch(NV-320SE only)
- Selectable 8 band plan via DIP switch
- Supports vectoring function(NV-320SE-T only)
- Built in surge protector

## Specifications

<b>LAN Interface</b>	Complies with IEEE 802.3 10Base-T 802.3u 100Base-T, 802.3ab 1000Base-T IEEE802.3af/at Connector: 2 x RJ-45 with PoE MTU: 2000 bytes	<b>Indicators</b>	LAN:Act/Link, PoE, Overload VDSL2: Act/Link, Line Mode: CO/CPE
<b>VDSL2 Interface</b>	Complies with ITU-T G993.2 Connector: RJ-11/Terminal block DMT Encoding/PTM Transmission On-board surge protection	<b>Power</b>	DC 54V via AC to DC switching adapter
<b>4-position DIP Switch</b>	Selectable CO or CPE mode (NV-320SE only) Selectable 8 band plan	<b>Power Output</b>	60W Maximum (each LAN port 30W)
		<b>Dimensions</b>	137 x 100 x 27 mm (5.39" x 3.94" x 1.06")
		<b>Weight</b>	Approx 0.42kg
		<b>Temperature</b>	0~50°C (Operating), -20 ~70°C (Storage)
		<b>Humidity</b>	10 - 90% non-condensing
		<b>Certification</b>	CE, FCC, RoHS Compliant

## Application



## Proper Installation

IP surveillance、Hospital、Telecom

## Order Information

NV-320SE : Point to point solution  
NV-320SE-T : Telco solution CPE only

Sales@netsys.com.tw

\*Netsys reserves the right to change specifications without prior notice



NV-320SE / NV-320SE-T

www.netsys.com.tw